

## HMC Miniature

The **Emerson Network Power Connectivity Solutions** HMA expanded beam connector has become the harsh environment standard in optical connectivity for up to 4 ports in multimode and single mode technologies.

The HMC provides further miniaturization in this series.

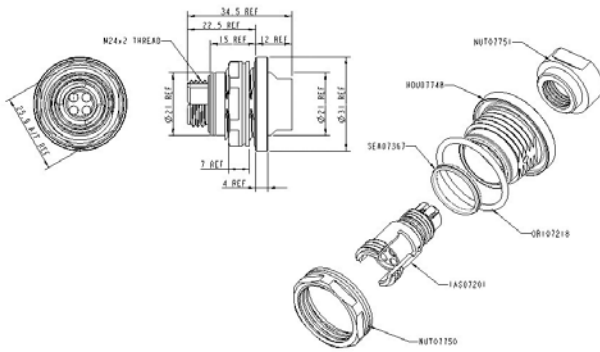
- By incorporating the very latest manufacturing capabilities and design, Stratos Optical Technologies has produced the smallest 4 channel expanded beam connector in the world with a diameter of just over 3/4 inch (21mm).
- The precision optical alignment system of both the HMA and HMC connectors creates immunity from water, mud, dust, oil and other contaminants.
- The series is designed with hermaphroditic coupling, which eliminates the need for adaptors allowing for rapid and simple deployment, time after time.
- The HMC retains the rarely needed product HMA/HMC family attributes of being easy to repair, making it perfect for high density and SFF applications.
- The HMC is available in several variants for bulkhead mounting with D-Hole, Flange mount with industry standard XLR footprint, and Thread mount.
- The full rubber body provides total durability against everyday wear and tear.



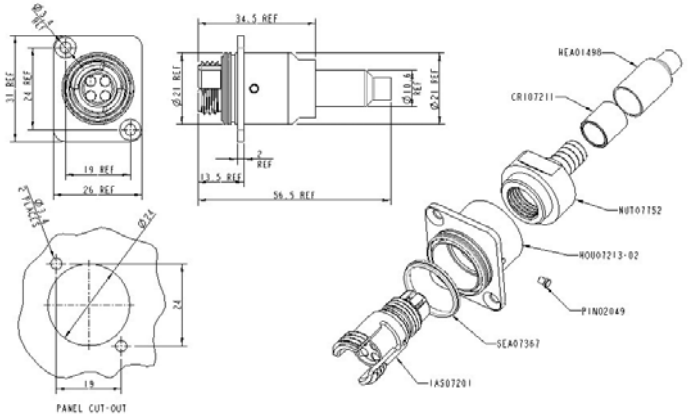
### Key Features & Benefits

- Advanced expanded beam technology
- Hermaphroditic interconnection
- 4 Fiber channels Single mode or Multimode
- Rugged field proven design
- No adaptors required
- Easy clean, no special tools
- Extremely repeatable, long life

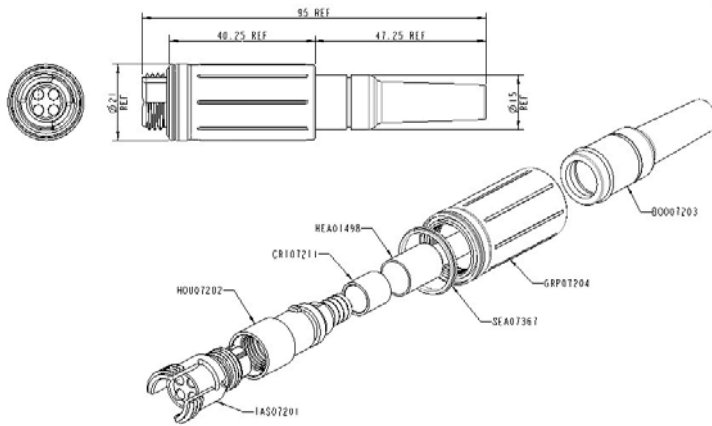
## HMC Jam Nut Bulkhead



## HMC Plug Connector



## HMC XLR Flange Mount



All dimensions are in mm

## Technical Specifications

	Multimode Version
Insertion Loss	Typical 0.5 – 1.0dB @ 1310nm
	Single mode Version
Insertion Loss	Typical 0.5 – 1.0dB @ 1310nm
Performance	
Operational Temperature	-40°C / +85°C
Storage Temperature	-55 to +85°C
Water Immersion	IP67 rated - up to 2M depth
Shell	Aluminum, hard anodized
Grip Boot	Santoprene/Fire-retardant Neoprene
RoHS Compliant	

Emerson Network Power  
Connectivity Solutions  
Stratos  
299 Johnson Ave.  
Waseca, MN 56093  
1-800-247-8256

## Connectivity Solutions

Whilst due care has been taken to ensure the contents of this data sheet are accurate, Emerson Network Power Connectivity Solutions cannot accept liability for any errors or omissions that may occur. We reserve the right to alter specifications of products without prior notice.

Emerson Network Power and the Emerson Network Power logo are trademarks and service marks of Emerson Electric Co. 2009 Emerson Electric Co. pi-HMCseries.pdf