

960 Series

The **Emerson Network Power Connectivity Solutions 960 Series**, Eurocom Type II connector, specified within NATO and the German Military, benefits from Stratos expanded beam technology. With a long and proven industry track record, the precision optical alignment system creates immunity from water, mud, dust, oil, and other contaminants which normally ingress the optical path and rapidly deteriorate performance in a field environment. With over 10 years of service, the 960 Series is the favored military solution, providing excellent stable performance in hostile environments.

The coupling design of the 960 eliminates the need for adapters and male or female mating halves. Hermaphroditic housings allow simple deployment, creating low loss multimode daisy chained links.

Ideally suited in environmental extremities where low maintenance and quick reparability is necessary, the connectors are uniquely field installable and rapid field repairable, with field maintenance kits supplied by Stratos to ensure replacement parts training, cost and time are all kept to a minimum. A broad range of multi-channel configurations including bulkhead feed throughs are available in a variety of shell materials, making the 960 Series suitable for use in extreme Arctic Marine environments through to military platforms used in the most hostile of desert conditions.

The 960 Series Expanded Beam Fiber Optic Connectors deliver a proven pedigree and world beating capability.

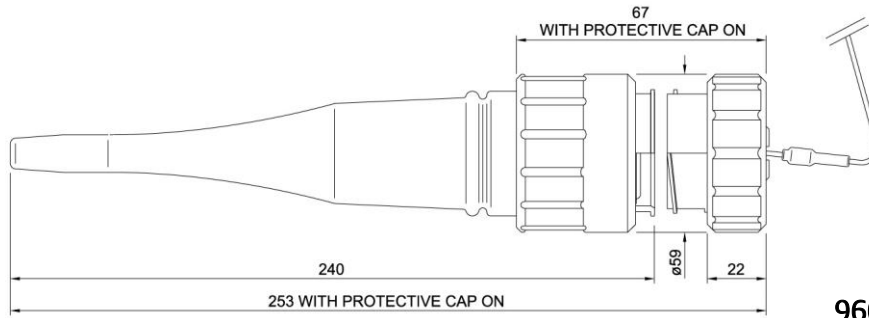


Key Features & Benefits

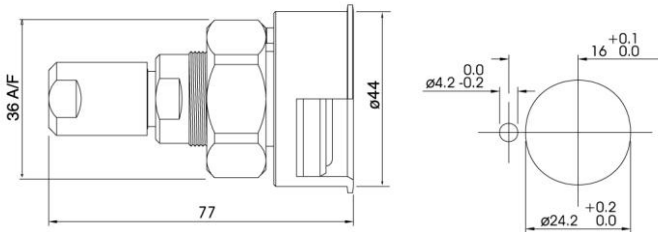
- Advanced expanded beam technology
- Hermaphroditic interconnection
- Multimode channels 2,4,8 & 12
- Dual wavelength capability
- Rugged 'arctic' style field repairable design
- Best optical performance available
- No adapters necessary
- Operational flexibility
- Durable and field proven

All dimensions are in mm

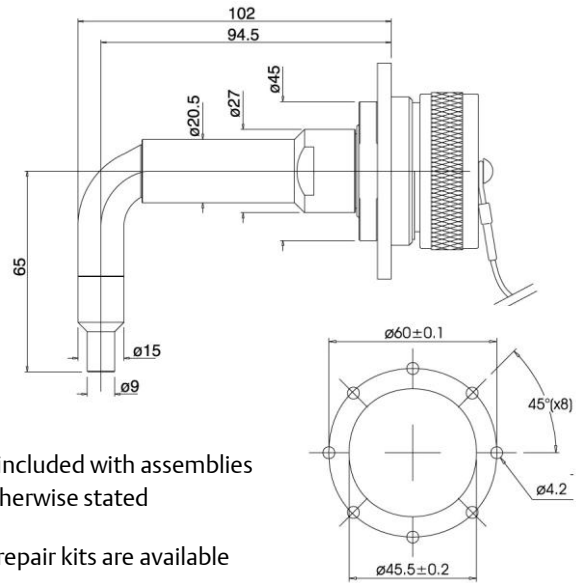
960 Series Plug



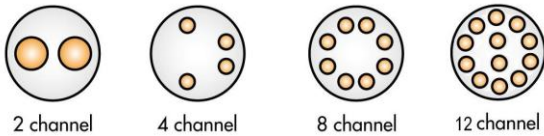
960 Series Jam Nut Bulkhead



960 Series Right Angled Flange Mount Bulkhead



Plan forms



2 channel

4 channel

8 channel

12 channel

Protective caps are included with assemblies unless otherwise stated

Termination and repair kits are available

Technical Specifications

Performance	
Optical Loss	50/125 @ 850/1300nm 1.5 dB typical
Operating Temperature	-40 to +70°C
Storage Temperature	-55 to +85°C
Water Immersion	Up to 2M depth
Vibration Sinusoidal	10-500Hz, 0.75 amplitude @ 10g acceleration
Free Fall Resistance	500 falls onto concrete from 1.2M height
Bump Resistance	4000 bumps @ 40g acceleration
Tensile Strength	Tensile of 1800N, cable dependent
Cable Variations	Compatible with tactical cable: Plug ≤6.5mm outer diameter Other cable sizes available on request

For details and technical information on the hybrid versions, please contact the factory.
All tests compliant to BS EN 186000-1 specifications.

Connectivity Solutions

Emerson Network Power
Connectivity Solutions
Stratos
299 Johnson Ave.
Waseca, MN 56093
1-800-247-8256

7-13 Russell Way
Widford Industrial Estate
Chelmsford, Essex CM1 3AA
United Kingdom
+44 124 534-2060

Whilst due care has been taken to ensure the contents of this data sheet are accurate, Emerson Network Power Connectivity Solutions cannot accept liability for any errors or omissions that may occur. We reserve the right to alter specifications of products without prior notice.

Emerson Network Power and the Emerson Network Power logo are trademarks and service marks of Emerson Electric Co.
© 2009 Emerson Electric Co.
Pi--HMAseries.pdf