

ProAV Fiber Extenders and Format Converters

The ProAV Conversion and Fiber Extenders extend distance over single-mode or multi-mode fiber and convert a range of video formats. Any ProAV TX unit will interoperate with any ProAV RX unit. Thus one video format signal may be converted to fiber and output to another video format without need for additional conversion equipment.



ProAV Series

Enhanced
Video
Solutions

Key Common Features

- Compatible modules may be used to start with one video format, convert it to fiber, receive the optical signal and convert it to any of the available video formats.
- Video Formats Available: Component Video, Composite Video (or S-Video), DVI, VGA, & 3G/HD/SD-SDI
- May be used with single-mode or multi-mode fiber.
- Transmission Distance
 - Single-mode: up to 2000m
 - Multi-mode: up to 500m
- Optical Interface: 2x LC
- Operating Environment: -10 to +60C, 80% Humidity
- Power Supply:
 - Input: 100 to 240 VAC Input
 - Output: +5 VDC , 3 A
- Size: 125 x 120 x 35 mm
- Weight: 0.6 Kg (module only)
- RoHS-6 Compliant
- Rugged extruded housing

COMPONENT VIDEO & AUDIO



CVBS/S-VIDEO & AUDIO



VGA



SDI (3G/HD/SD)



DVI-D SINGLE LINK & AUDIO



PAIR
ANY TX
with
ANY RX

Advanced Fiber Products LLC
200 East Howard Ave, Suite 204
Des Plaines, IL, USA 60018
Tel: +1-847-768-9001
E-mail: sales@afpgco.com

wholly owned subsidiary of
Advanced Fiber Products Ltd
Hollands Road
Haverhill, Suffolk
England CB9 8PR

Tel: +44 (0) 1440-706441
Tel USA: +1-909-576-5854
Fax: +44 (0) 1440-762044
E-mail: sales@afpgco.com

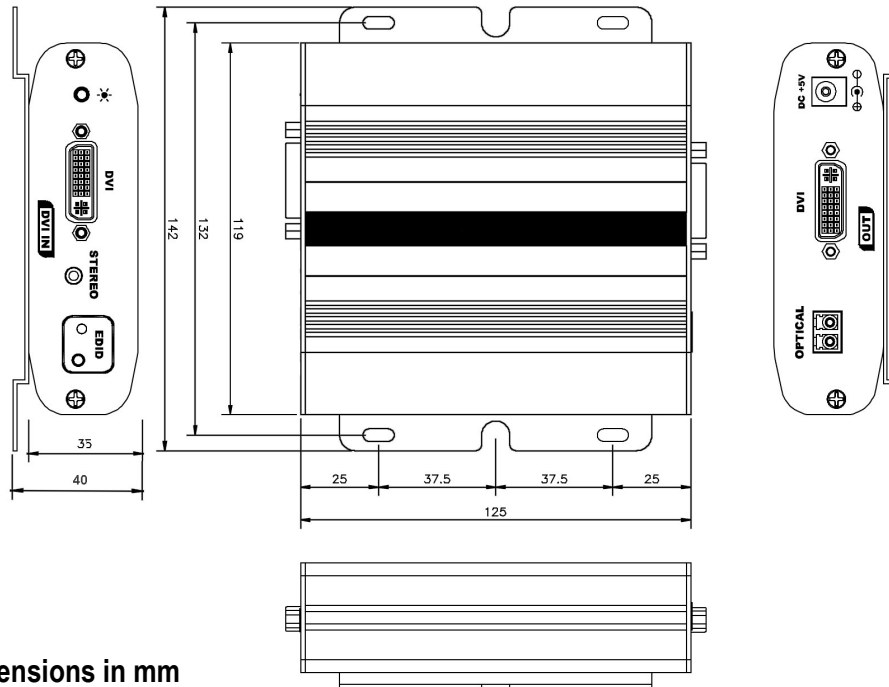


www.afpgco.com

ProAV Product Sheet
Rev 13044.00

Advanced Fiber Products Limited is
a company registered in England
Page 1 of 2

ProAV Fiber Extenders and Format Converters



Dimensions in mm

ORDERING INFORMATION

Part Number	Description	Resolution
ProAV-CMP-T ProAV-CMP-R	Analog Component Video & Audio to Fiber Fiber to Analog Component Video & Audio	480i (50/60Hz) 720p (50,59.95/60 Hz) 1080i (50,59.95/60 Hz) 1080p (50,59.95/60 Hz)
ProAV-CVBS-T ProAV-CVBS-R	Analog Composite Video & Audio to Fiber Fiber to Analog Composite Video & Audio	NTSC PAL
ProAV-VGA-T ProAV-VGA-R	Analog VGA to Fiber Fiber to Analog VGA	Max 1920x1200 @ 60Hz (WUXGA)
ProAV-SDI-T ProAV-SDI-R	3G/HD/SD-SDI Video to Fiber Fiber to 3G/HD/SD-SDI Video	480i (50/60Hz) 720p (50,59.95/60 Hz) 1080i (50,59.95/60 Hz) 1080p (50,59.95/60 Hz)
ProAV-DVI-T ProAV-DVI-R	DVI-D Video & Audio to Fiber Fiber to DVI-D Video & Audio	Max 1920x1200 @ 60Hz (WUXGA)
Shipping Dimensions — ea.	11.25x6.25x3 in	28.6x15.9x7.6cm
Shipping Weight — ea.	2.2 lb	1.0 kg

Advanced Fiber Products, LLC develops and manufactures active optical devices engineered and packaged to withstand the rigors of broadcast production and many industrial environments. AFP also offers a wide range of ancillary components in addition to specialized fiber assemblies related to high performance optical hermeticity, laser-to-fiber or fiber-to-detector delivery and integration into complete packaging solutions. AFP LLC is a wholly owned subsidiary of Advanced Fiber Products Ltd. headquartered near Cambridge in the UK.

Advanced Fiber Products reserves the right to change or discontinue any product or service in this publication and advises customers to obtain the latest versions of publications before placing orders. Patents are pending. Advanced Fiber Products standard warranty conditions apply and are available upon request. Advanced Fiber Products customers using its products in life preserving applications where the reasonable malfunction of the products might be expected and may result in personal injury, agree to indemnify Advanced Fiber Products against all such improper use and any consequential damages. Advanced Fiber Products makes no representations or warranties that the products are free from patent, copyright or intellectual property rights. Standard Terms and Conditions of sale apply and are available on request.

Advanced Fiber Products Limited is a company registered in England and Wales Registration number – 6431612

Enhanced
Video
Solutions

Advanced Fiber Products LLC
200 East Howard Ave, Suite 204
Des Plaines, IL, USA 60018
Tel: +1-847-768-9001
E-mail: sales@afpgco.com

wholly owned subsidiary of
Advanced Fiber Products Ltd
Hollands Road
Haverhill, Suffolk
England CB9 8PR

Tel: +44 (0) 1440-706441
Tel USA: +1-909-576-5854
Fax: +44 (0) 1440-762044
E-mail: sales@afpgco.com

**Advanced
Fiber
Products**

www.afpgco.com

ProAV Product Sheet
Rev 13044.00

VAT number GB 923 3146 47

Page 2 of 2